

JTF3 PLUS

JEDEC Tray Feeder

Plus Features

- Highest Feeding Stability
- Closed Loop Control Elevator/Conveyor Drive using encoded maxon motor
- Added interfaces RS485, Ethernet UDP and TCP/IP, USB Virtual COM
- Upgrade Kits available for existing Feeders
- Applicable to all Quasys Feeders
- No potentiometers
- Reverse compatible
- Footprint remains
- Swiss Made



Random access to multiple part numbers in JEDEC Trays

The Quasys JTF3 is the flexible feeding solution for JEDEC Trays. Any slot in the magazine is accessible using serial communication mode.

- Multi components
- Low cost of ownership
- Tray exchange in ~ 3.5 - 9 seconds
- Compact footprint occupies only 176 mm of rails space
- Microprocessor controlled

Easily integrate with your machine:

SMT Assembly Equipment
Singulation Equipment
Device Programmers
Test Handlers

Die Bonders
Inspection Equipment
Custom Automation



JTF3 PLUS

TrayStak® Feeder

Technical Specification

Capacity

Magazines with 18 thin or 14 thick JEDEC trays, or custom pitch (Standards 95-1 & IEC 60286-5)
Max. Load in Magazine 6kg, optional 14kg
Max. Tray Weight 1000g

Speed

Tray Exchange in 3.5 seconds for neighbor trays, average is 5 seconds. Using new unload function again reduces exchange time. Also depending on conveyor length.

Position Accuracy

Edge of tray repeatable to 0.05 mm

Flexibility

Magazines for thin and thick JEDEC trays available
Fast and slow conveyor speed
Microprocessor controlled
Different conveyor lengths available

Standards Compliance

CE

Electrical

24 VDC +/- 10 %
3 Amps (peak), 1.0 [A] continuous

Communication Signals

RS232, RS485, Ethernet UDP and TCP/IP, Vcom

Pneumatic

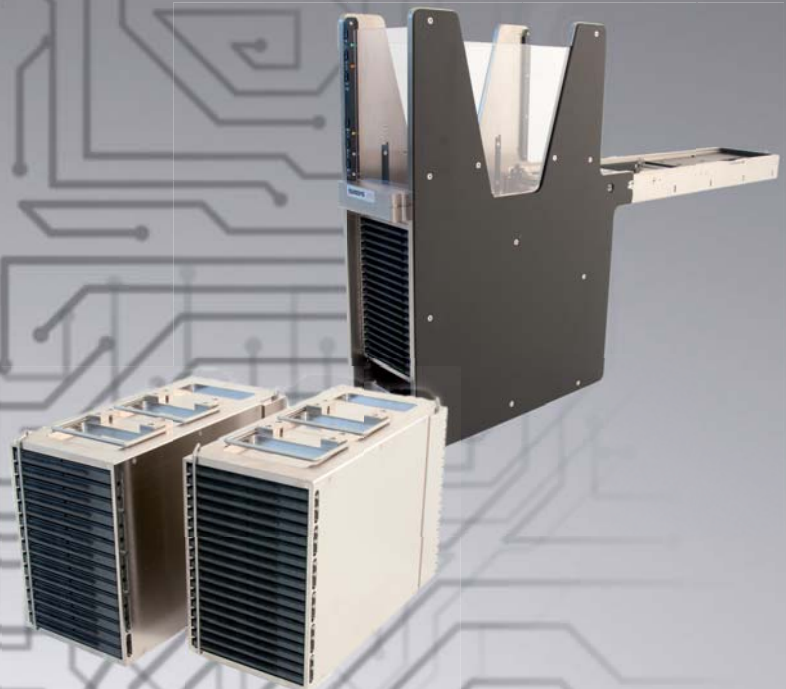
4.1 - 5.5 Bars (60 - 80 Psi)
28.3 Liters/Minute (1 SCFM)

Weight

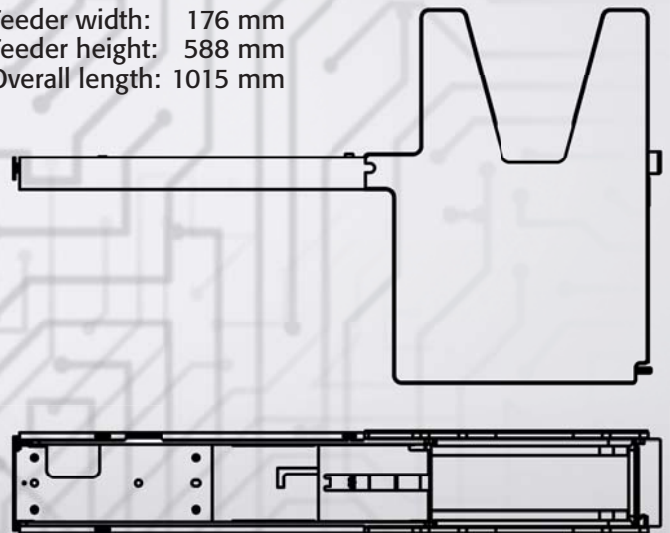
25kg

Environment

10 – 35°C / 10 – 90 % R.H.



Feeder width: 176 mm
Feeder height: 588 mm
Overall length: 1015 mm



QUASYS AG

Rothusstrasse 5a
CH-6331 Hünenberg
Switzerland
sales@quasys.ch

www.quasys.ch

Asia

Auleetech Singapore
Oliver Ackermann
+65 6247 5157
oliver.ackermann@
auleetech.com

USA East

trayfeeders.com
Concord NH
Neil Burt
+1 603 227 5240
info@trayfeeders.com

USA West

Bentleadtools
San Jose CA
Bob Santora
+1 (408) 592 5259
bob@bentleadtools.com