

## JTF2 PLUS

TrayStak® Feeder

### Plus Features

- Highest Feeding Stability
- Closed Loop Control Elevator/Conveyor Drive using encoded maxon motor
- Added interfaces SMEMA, RS-485, Ethernet (UDP), USB (DLL\*\* or virtual COM)
- Upgrade Kits available for existing Feeders
- Applicable to all Quasys Feeders
- No potentiometers
- Reverse compatible
- Footprint remains
- Swiss Made

\*\* under Development



Load or unload stacks full of product without interrupting production

The Quasys JTF2+ is the automation solution for JEDEC Tray feeding. Load and unload stacks of up to 20 thick or 30 thin JEDEC standard trays without interrupting the assembly equipment.

- Dramatically increase throughput by automatically delivering trays non-stop
- Low cost of ownership
- Tray exchange in less than 5 seconds\*
- Compact Footprint - occupies less than 162 mm of feeder rail space
- Microprocessor controlled
- CE approved
- Large customer base

Easily integrate with your machine:

SMT Assembly Equipment  
Singulation Equipment  
Device Programmers  
Test Handlers

Die Bonders  
Inspection Equipment  
Custom Automation



## JTF2 PLUS

TrayStak® Feeder

### Technical Specification

#### Capacity

20 thick or 30 thin JEDEC trays  
(Standards 95-1 & IEC 60286-5)  
Max. Stack Weight 9kg, optional 18kg  
Max. Tray Weight 1000g

#### Speed

Tray Exchange  
< 5 seconds for most application

#### Position Accuracy

Edge of tray repeatable to 0.05 mm

#### Flexibility

Microprocessor controlled  
Adjustable conveyor speed  
Switch selectable thick/thin  
tray changeover

#### Standards Compliance

SEMI S2 & S8  
NFPA 70 & 79  
CE

#### Electrical

24 VDC +/- 10 %  
2 Amps (peak), 1.0 [A] continuous

#### Communication Signals

dIO, RS-232, RS-485  
Ethernet UDP, USB, SMEMA

#### Pneumatic

4.1 - 5.5 Bars (60 - 80 Psi)  
28.3 Liters/Minute (1 SCFM)

#### Weight

22.7 Kg (50 lbs)

#### Environment

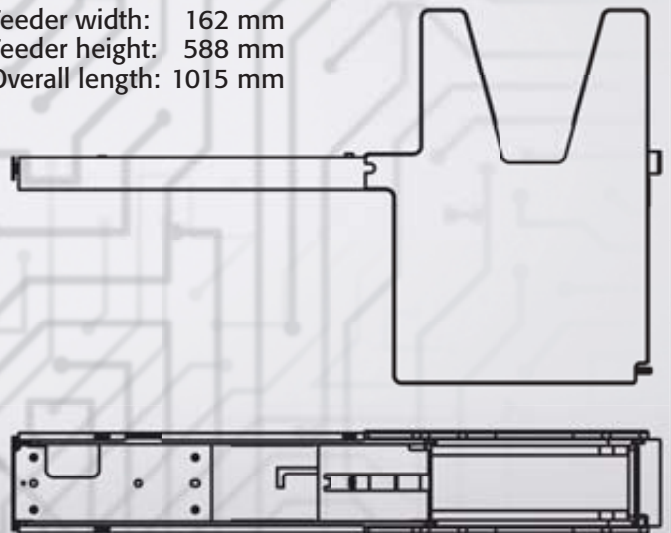
10 - 35°C / 10 - 90 % R.H.



Video



Feeder width: 162 mm  
Feeder height: 588 mm  
Overall length: 1015 mm



## QUASYS AG

Rothusstrasse 5a  
CH-6331 Hünenberg  
Switzerland  
sales@quasys.ch

[www.quasys.ch](http://www.quasys.ch)

### Asia

Auleetech Singapore  
Oliver Ackermann  
+65 6247 5157  
oliver.ackermann@  
auleetech.com

### USA East

trayfeeders.com  
Concord NH  
Neil Burt  
+1 603 227 5240  
info@trayfeeders.com

### USA West

Bentleadtools  
San Jose CA  
Bob Santora  
+1 (408) 592 5259  
bob@bentleadtools.com